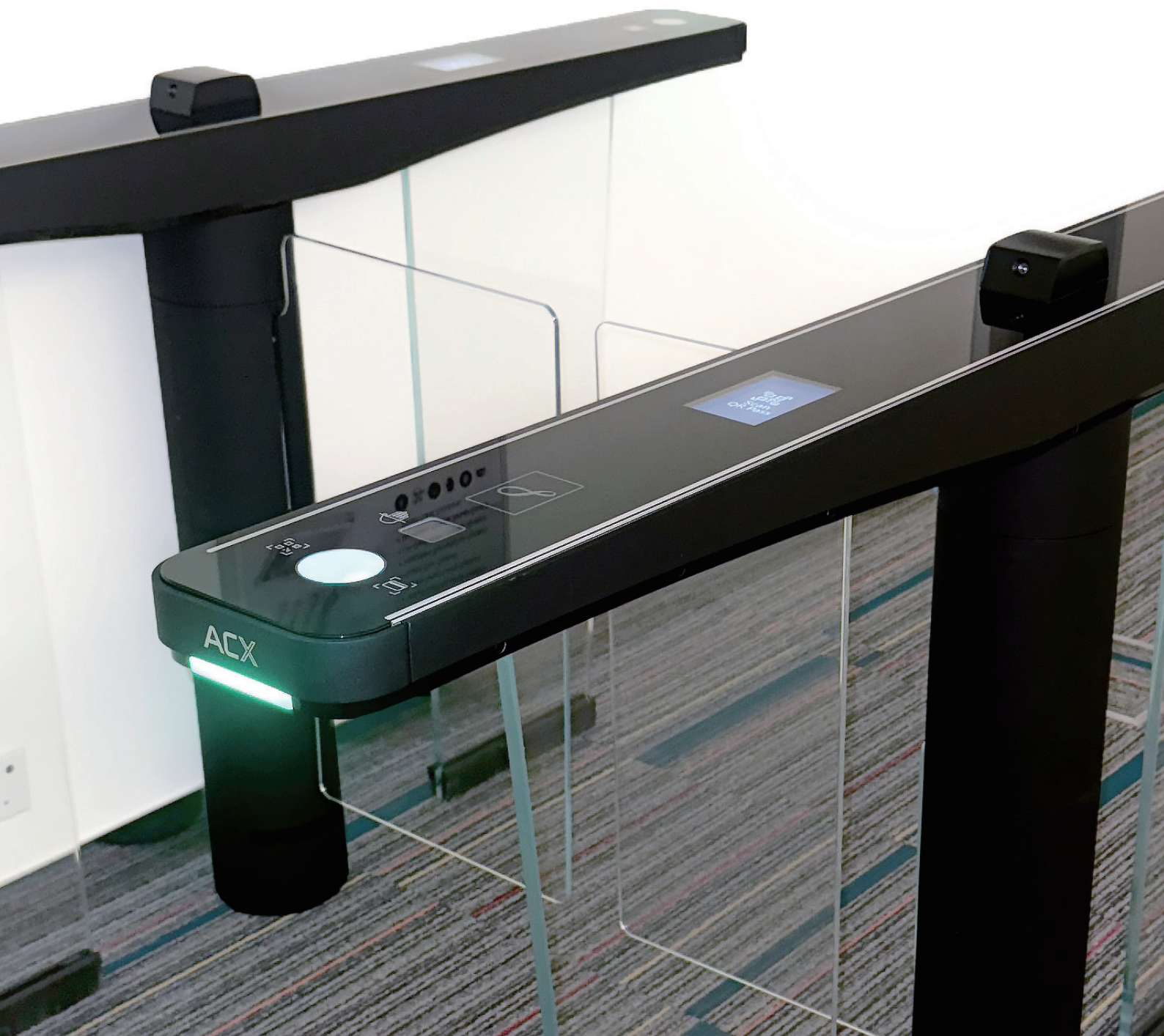


5 in 1 Thermal and Facial Recognition Detector

Professional Design for Turnstile Access Control System



Temperature



Mask On



Facial



Palm Vein



Access Card

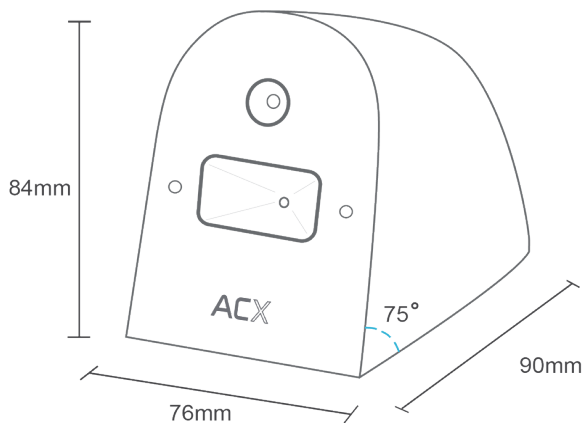


Scramble QR

Setting the New Safety Standard

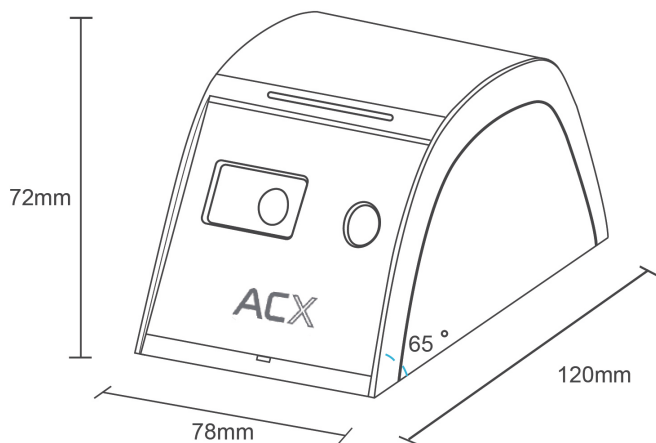
During the COVID-19 pandemic, a key priority in public areas was to determine the specific public health actions in order to minimize the risk of COVID-19 transmission in the community. As the COVID-19 outbreak continued to evolve, ACX invented 2088, 2089, and 2098 thermal screening, face mask detection, and facial recognition devices to avoid the spread of the virus. In 1 second, these devices can check automatically whether visitors are wearing masks and having normal temperature without any physical contact, setting the new safety standard for workplace and public areas.

Product Overview



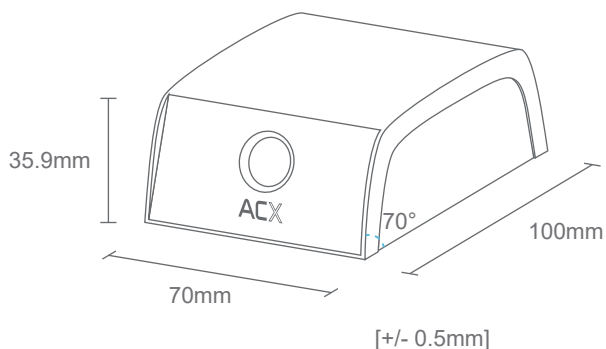
2088 Thermal and Facial Recognition Detector

- 75 degrees surface to ground
- Suitable for 1.6M to 1.8M length turnstile



2098 Thermal and Facial Recognition Detector

- 65 degrees surface to ground
- Suitable for 1.2M to 1.8M length turnstile



2090 Facial Recognition Detector

- 70 degrees surface to ground
- Suitable for 1.2M to 1.8M length turnstile

2088 Thermal and Facial Recognition Detector

Front View



HIGHLIGHTS AND FEATURES

- Temperature sensor and face mask detection
- Support Facial Recognition technology
- Scanning Range up to 3 meters
- Built-in black body leads to an increase in temperature accuracy $\pm 0.3^{\circ}\text{C}$
- Superior low-light performance
- Auto black level calibration
- Suitable for wheelchair access

SPECIFICATIONS

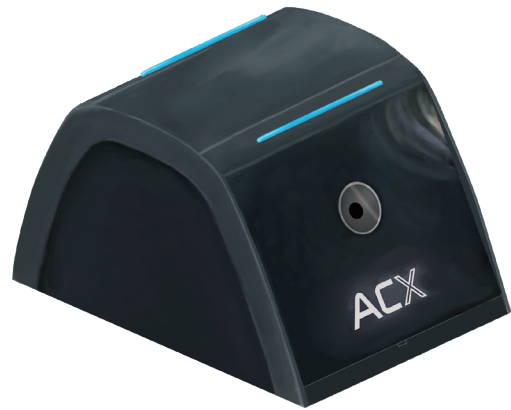
- Face++ / SenseTime Facial Recognition technology
- Temperature measurement time within 100ms (within 400ms wearing masks)
- Facial Recognition accuracy $\geq 99\%$
- Mask detection accuracy $\geq 99\%$
- Support Facial Recognition even with face masks

2098 Thermal and Facial Recognition Detector

Front View



Back View



HIGHLIGHTS AND FEATURES

- Temperature sensor and face mask detection
- Support Facial Recognition technology
- Built-in rear camera to solve lighting problem
- Scanning Range up to 3 meters
- Built-in black body leads to an increase in temperature accuracy $\pm 0.3^{\circ}\text{C}$
- Superior low-light performance
- Auto black level calibration
- Suitable for wheelchair access

SPECIFICATIONS

- Face++ / SenseTime Facial Recognition technology
- Temperature measurement time within 100ms (within 400ms wearing masks)
- Facial recognition accuracy $\geq 99\%$
- Mask detection accuracy $\geq 99\%$
- Support Facial Recognition even with face masks

2090 Facial Recognition Detector

Front View



Back View



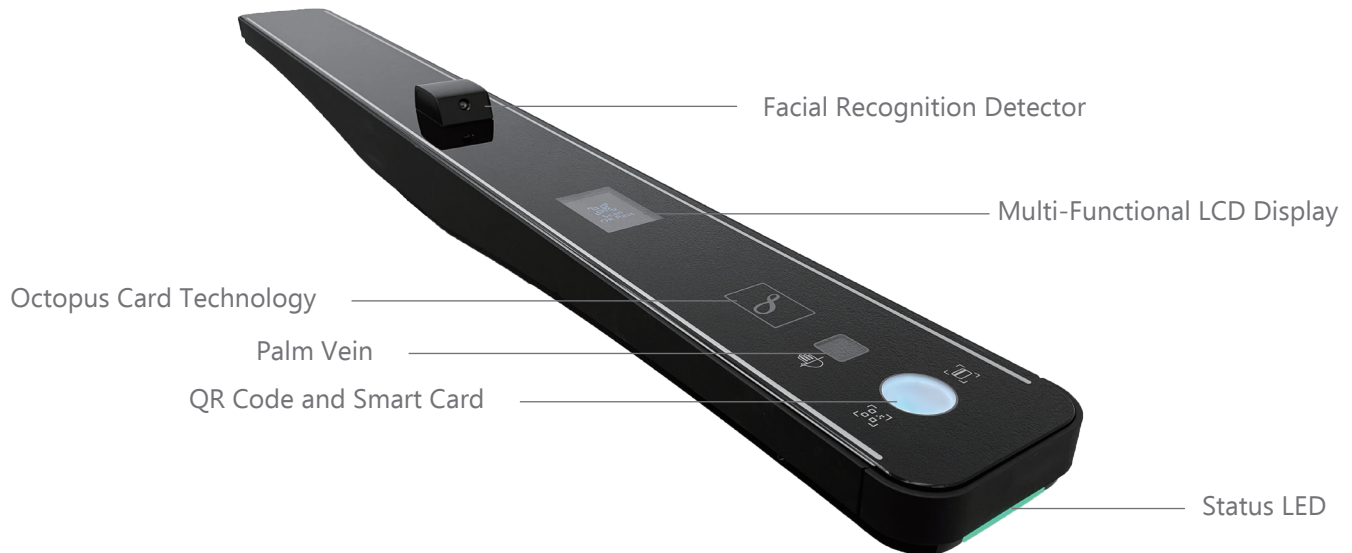
HIGHLIGHTS AND FEATURES

- Face mask detection
- Sleek and fashionable design with an aluminum housing for durability
- Utilizes both single and dual lens configurations for face recognition
- Single lens used for left and right sides of the fast lane; dual lens in the middle section
- Designed for inclusivity, suitable for children and individuals in wheelchairs
- Balances aesthetic appeal, durability, and user accessibility
- Scanning range from 0.8m to 1.9m height

SPECIFICATIONS

- Face ++ 2023 edition Facial Recognition technology
- Facial recognition accuracy $\geq 99\%$
- Mask detection accuracy $\geq 99\%$
- Support Facial Recognition even with face masks

QR Code and Smart Card, Palm Vein and Octopus Card Technology



HIGHLIGHTS AND FEATURES

- Support Scramble QR Code or fixed QR code
- Scramble QR Code changes per second
- Patented in Hong Kong and overseas
- Biometric authentication technology based on Palm Vein recognition
- Integrated with Fujitsu PalmSecure sensor
- Holder of Octopus Holding Limited Type Approval Certificate
- The 1st company integrating Octopus Card technology into a reader
- Used as a Virtual Credential
- Temperature measurement and face mask detection
- Support Facial Recognition technology
- Built-in rear camera to solve lighting problem
- Built-in black body leads to an increase in temperature accuracy $\pm 0.3^{\circ}\text{C}$
- Superior low-light performance
- Auto black level calibration
- Suitable for wheelchair access

