

## 2388 Mailbox Lock



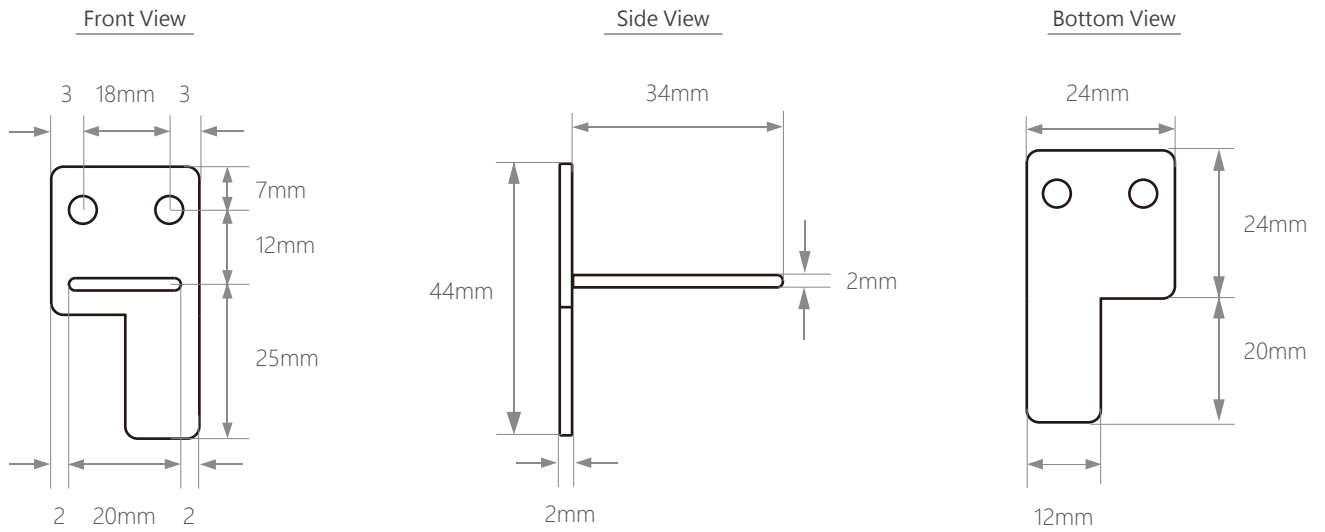
The ACX 2388 Mailbox Lock Set is a perfect design for Mailbox Management System. The lock set works with ACX mailbox controller and the ACX mailbox management system. The new key lock function is also available by using a Mechanical Key.

User can be noticed that the letter received in real time, and easily check the status of mailbox's door. The lock set includes 2 sets of external sensors for tamper monitoring purpose. Lock built-in with 3 sensors for tamper monitoring and mail notification.

# PHYSICAL CHARACTERISTIC

Operating Voltage	12VDC
Operating Current	100mA
Dimension	84mm x 70mm x 19mm
Sensor	Letter sensor x 1, Mailbox door sensor x 1, External sensor x 2
Weight	65g
Communication	ACX RS485 propriatery format, connects to ACX mailbox controller

# DIMENSIONS

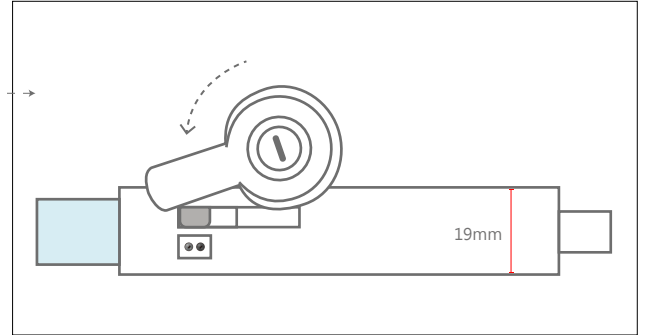
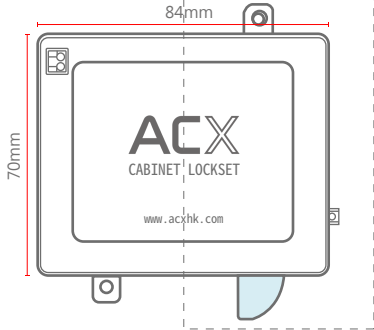


# OPERATION FLOW

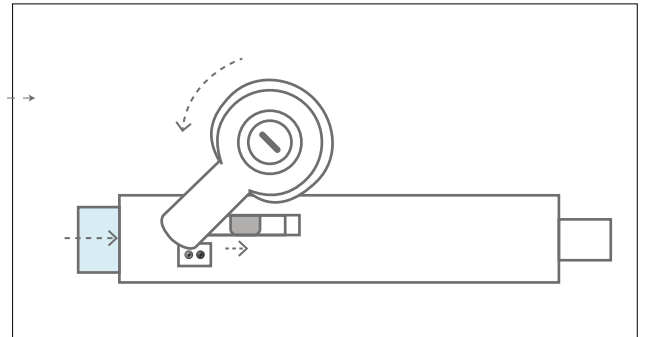
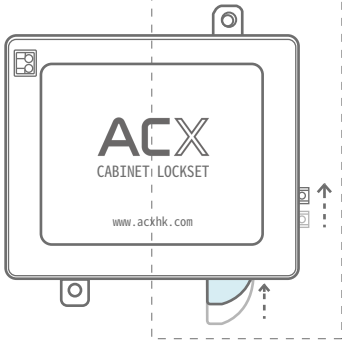
(Top View)

(Front View)

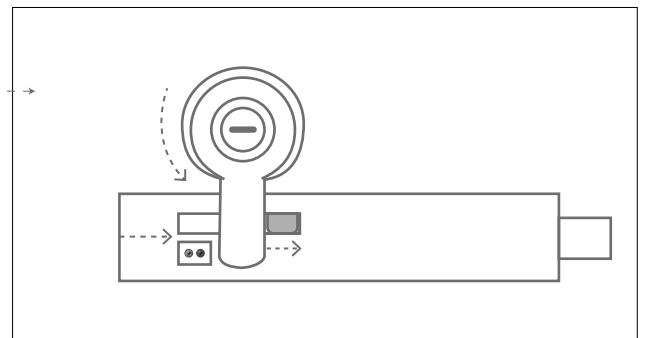
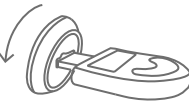
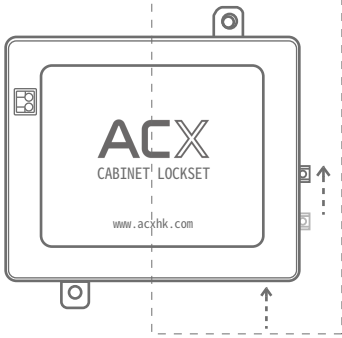
①



②



③



④

