

2309c Infrared Door Release



This infrared door release serves as both a standard exit release and an emergency release switch. Designed for contactless operation, it is easy to install and integrates seamlessly with the ACX Access Control System.

Unlike traditional door release mechanisms, this infrared release requires no physical pressure to function. Users can simply wave a hand in front of the sensor to activate it, triggering the internal relay to unlock the electronic lock.

Equipped with encrypted infrared technology, the device minimizes interference from other infrared remote controls. Additionally, it is unaffected by sunlight or external infrared sources, ensuring consistent and reliable performance.

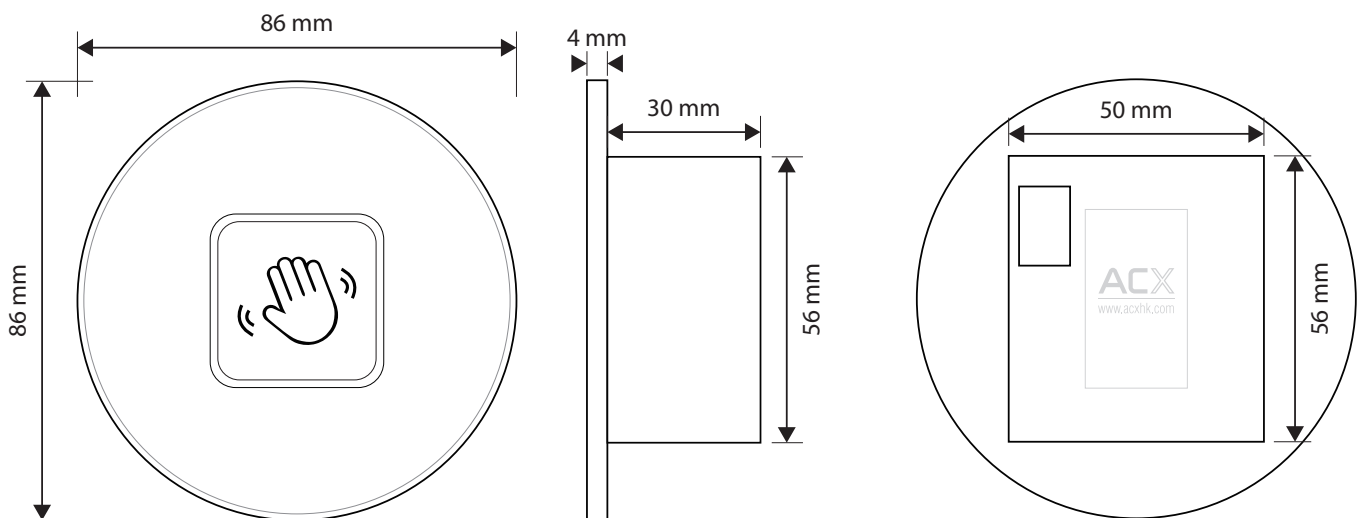
FEATURES

- Infrared is encrypted, preventing interference from infrared remote control devices.
- Unaffected by sunlight or infrared interference, ensuring reliable performance.
- Combines a door release button and a resettable call point into a two-in-one design.
- Compact size allows for easy installation on both Asia and US standard electric gang boxes.
- Reduces costs by consolidating two electric gang boxes into one, simplifying installation.
- Features contactless and auto-sensing technologies, offering a modern alternative to traditional door release buttons.
- Minimizes downtime compared to resetting traditional glass-breaking devices.
- Equipped with a circular LED ring for clear visual indication.

SPECIFICATION

2309c Infrared Door Release	
Dimension	Cover: 86mm(L) x 86mm(W) x 4mm(H), body: 56mm(L) x 50mm(W) x 30mm
Input	DC12V
Contact Rating	12-28V, 3A
Output Contact	NO / NC / COM
Mechanical Life	500000 tests
Operation Temp	-20°C~+55°C(14-131F)
Suitable Humidity	0-85% (relative humidity)
Detection Range	0.1mm - 10cm
Weight	0.18kg
Visual Indicator	The Handwave sensor defaults to BLUE color; Once the handwave is detected, the LED color is changed to GREEN color

DIMENSIONS



2309a/2309b/2309c/2309d Cable installation guideline 接線安裝指南

