

## 2090 Turnstile Camera



### INTRODUCTION

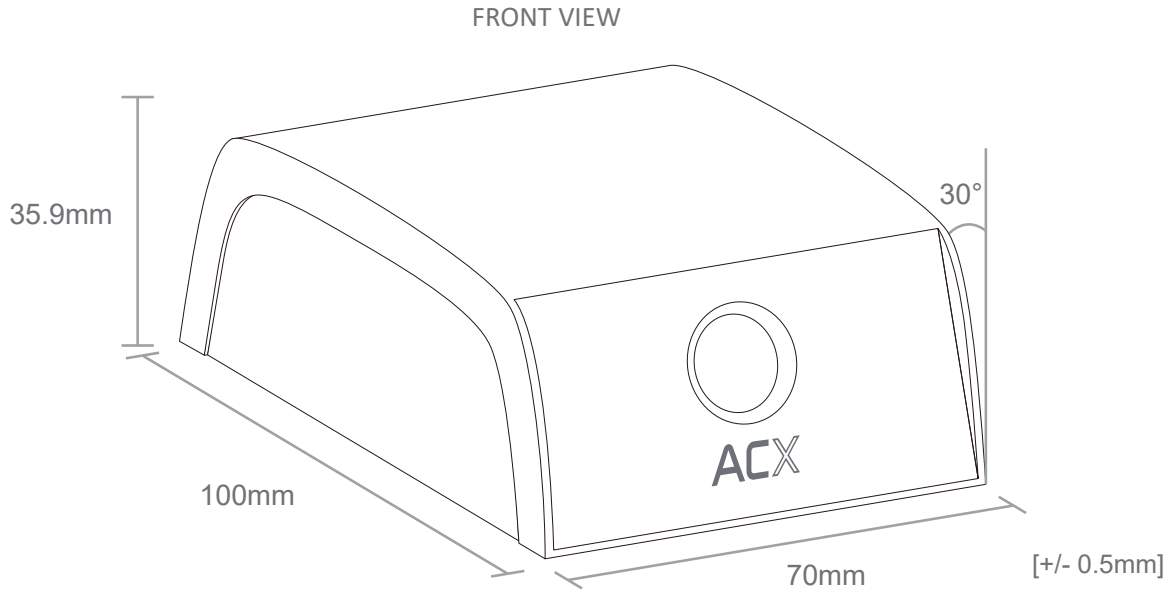
The 2090 turnstile face recognition device features an excellent appearance design with a sleek, fashionable aesthetic. The aluminum housing provides a robust and durable construction suitable for reliable installation and usage.

The device utilizes a combination of single and dual lens configurations. The single lens is employed for the left and right sides of the fast lane, while the dual lens setup is incorporated into the middle section of the fast lane.

Notably, the range of the face recognition lens has been designed to accommodate a wide variety of users, including children and individuals in wheelchairs. The lens coverage spans a height range from 80 cm to 190 cm, ensuring inclusive accessibility.

Overall, the thoughtful design elements and technical specifications of the 2090 turnstile face recognition device demonstrate a well-engineered solution that balances aesthetic appeal, durability, and user accessibility.

## DIMENSION



## SPECIFICATION

Facial Camera	
Optical Format	1/2.7-inch (6.6mm)
Active Pixels	1928(H) x 1099(V) (16:9 mode)
Pixel Size	3.0μm x 3.0μm
Color Filter Array	RGB Bayer
Responsivity	4.0 V/lux-sec
SNRMAX	41 dB
Max Dynamic Range	Up to 96 dB
Operating Temperature	-30°C to +85°C ambient
Facial Recognition	
Facial Recognition Engine	Face ++ 2023 edition
Minimum Face Detection Size	20x20 pixels
Minimum Face Size (Recognition)	50x50 pixels (disable liveness) ; 80x80 pixels (liveness)
Face Posture (Recognition)	Yaw: +/- 35° ; Pitch: +/- 35° ; Roll : +/- 35°
Number of Face Enrollment	100k (max) ; 10k (typical)
Facial Recognition Accuracy	≥ 99% @ 0.5% error rate
Facial Recognition Time	10,000 photos < 300ms ; 20,000 photos < 500ms
Liveness Detection	Support
Mask Detection	Support various color mask ; Support black color mask
Mask Detection Accuracy	≥ 99%
Facial Recognition with Mask	Support
Facial Recognition Accuracy (With Mask)	≥ 90% @ 5% error rate (estimate)
Camera	1920x1080